

SINEAX VS52

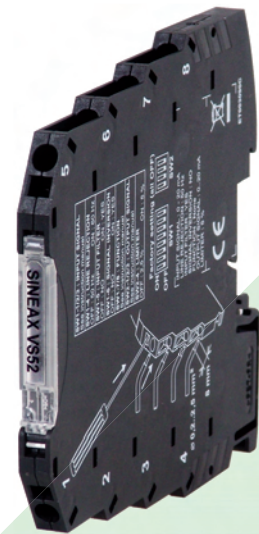
Isolating Amplifier

DC current / Voltage converter (with transducer power supply)



Features / Benefits

- Input: Current 0/4 ... 20 mA or voltage 0/1 ... 5, 0/2 ... 10 V DC
- Output: current 0/4 ... 20, 20 ... 4/0 mA or voltage 0/1 ... 5, 0/2 ... 10 V DC
- 3-way galvanic isolation
- Spring-cage clamp connection
- Power bridging terminal – DIN rail bus connector
- Small dimensions (6.2 x 93.1 x 102.5 mm)
- Resolution of 14 bit
- Accuracy class 0.1%



General Data

Power supply	19.2 ... 30 V DC
Accuracy	0.08% of the f.s. value for mA or 5 V output 0.07% of the f.s. value for 10 V output
Status indicators (LED)	Input or output out-of-range limiter device triggered Input saturation Internal fault
Galvanic isolation	Power supply / input / output at 1500 V AC, digital
Hot swapping	Yes
Power consumption	500 mW
A/D Converter	14 bit
Current output protection	Approximately 25 mA
Security output	102.5% of full scale value in case of over-range 105% of full scale value in case of improper functioning
Humidity	Up to 90% at + 40 °C (not condensing)
Housing	Terminal housing for mounting on 35 mm DIN 46277
Frequency filter	50 ... 60 Hz (settable)
DIP-Switch	– Input signals setup – Output signal setup
Processing	Floating point 32 bit
Dimensions	6,2 x 93,1 x 102,5 mm (w x h x d)
Weight	50 g

Operating temperature	– 20 ... + 65 °C
Connections	Spring cage clamp
IP Protection	IP 20
Conformity	CE

Input Data

Voltage	0 ... 10 V, 2 ... 10 V, 0 ... 5 V, 1 ... 5 V Input impedance: 110 k Ω
Current	0 ... 20 mA, 4 ... 20 mA input impedance: 35 Ω

Output Data

Voltage:	0 ... 5 V DC, 1 ... 5 V DC, 0 ... 10 V DC and 2 ... 10 V DC Lower load resistance: 2 k Ω
Current	0 ... 20 mA, 4 ... 20 mA, 20 ... 0 mA and 20 ... 4 mA Higher load resistance: 500 Ω

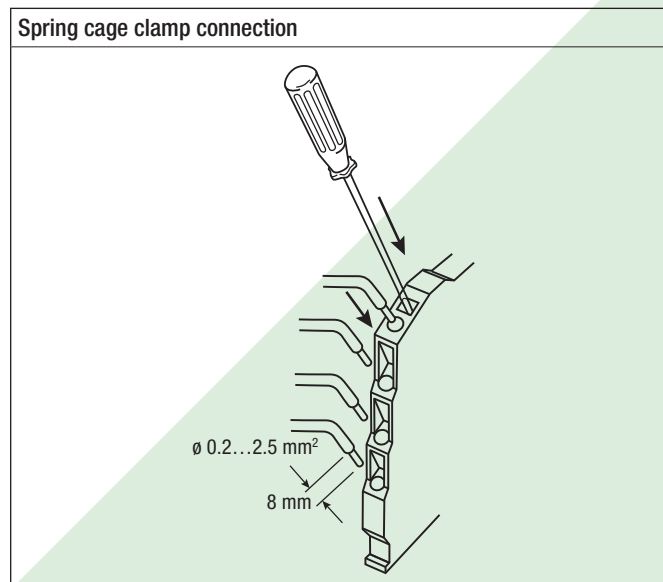
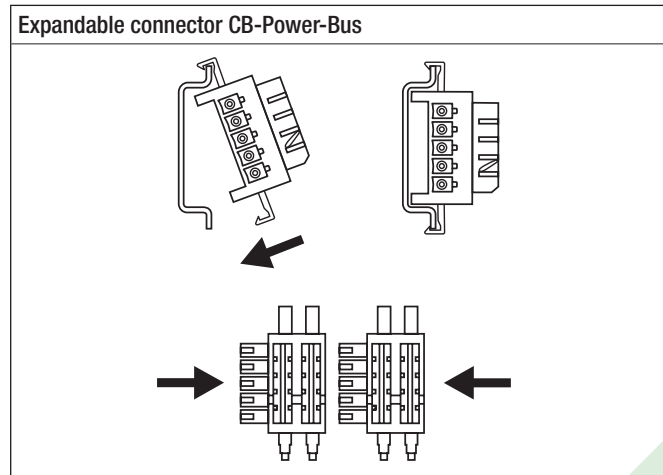
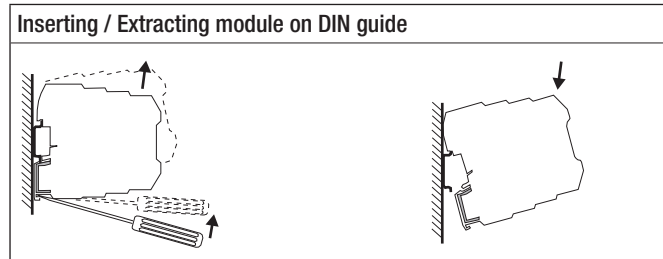
SINEAX VS52

Isolating Amplifier

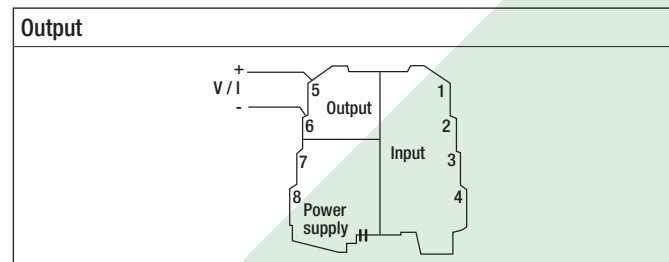
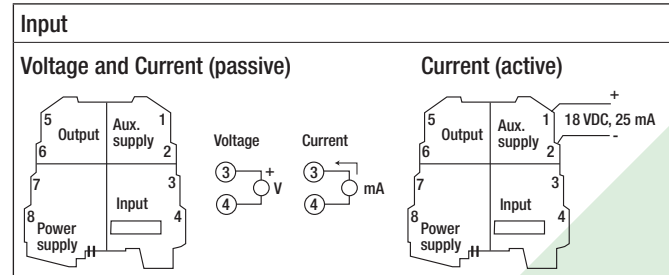
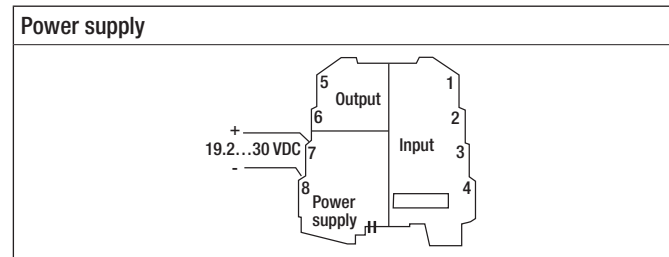
Order Codes

Description	Code
DC current / Voltage converter (with transducer power supply)	162 793
Accessories	
CB-Power-Bus Expandable power supply connector	162 826
SINEAX VS70 Power supply module with surge protection	162 818

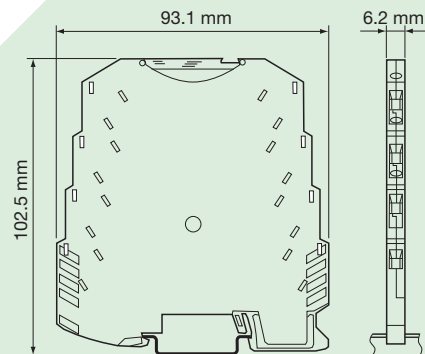
Installation



Electrical connections



Dimensional drawing



CAMILLE BAUER

Rely on us.

Camille Bauer Ltd
Aargauerstrasse 7
CH-5610 Wohlen / Switzerland

Phone: +41 56 618 21 11

Fax: +41 56 618 35 35

e-mail: info@camillebauer.com

www.camillebauer.com